

Please check the examination details below before entering your candidate information

Candidate surname

Other names

**Pearson Edexcel
Functional Skills**

Centre Number

Candidate Number

*****Past Paper 6*****

Time: 1 hour 30 minutes

Paper Reference **PMAT1/C06**

Mathematics

Level 1

Section B (Calculator)



You must have:

Pen, calculator, HB pencil, eraser, ruler graduated in cm and mm, protractor, pair of compasses. Tracing paper may be used.

Total Marks

My signature confirms that I will not discuss the content of the test with anyone.

Signature: _____

Instructions

- Use **black** ink or ball-point pen.
- **Fill in the boxes** at the top of this page with your name, centre number and candidate number.
- Sign the declaration.
- Answer **all** questions.
- Write your final answers in the boxes provided.
- Answer the questions in the spaces provided – *there may be more space than you need.*
- You **must** show clearly how you get your answers in the spaces provided. Marks will be awarded for your working out.
- Check your working and answers at each stage.
- Diagrams are **not** accurately drawn, unless otherwise indicated.
- **Calculators may be used.**
- If your calculator does not have a π button take the value of π to be 3.14

Information

- The total mark for this section is 42.
- The total mark for this paper is 56.
- The marks for **each** question are shown in brackets
– *use this as a guide as to how much time to spend on each question.*
- This sign shows where marks will be awarded for showing your checks.

Advice

- Read each question carefully before you start to answer it.
- Check your answers if you have time at the end.

Turn over ►

P68201A

©2020 Pearson Education Ltd.

1/1/1/1



P 6 8 2 0 1 A 0 1 1 6



Pearson

SECTION B

Answer ALL questions. Write your answers in the spaces provided.

1 Alan takes part in a health study.

He records the time he spends looking at different screens on Monday.

computer	5.5 hours
mobile phone	40 minutes
TV	$3\frac{3}{4}$ hours

Alan thinks he spent more than 10 hours in total looking at different screens on Monday.

Is Alan correct?
Show why you think this.

(3)

(Total for Question 1 is 3 marks)

DO NOT WRITE IN THIS AREA

DO NOT WRITE IN THIS AREA

DO NOT WRITE IN THIS AREA

DO NOT WRITE IN THIS AREA

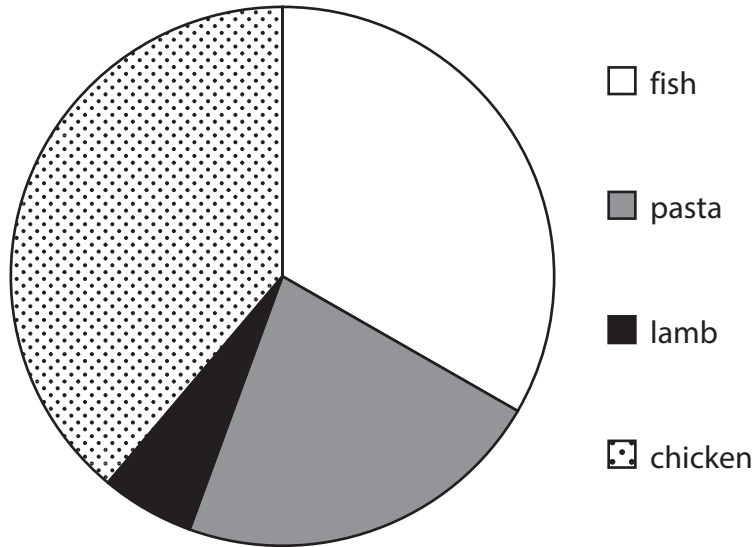
DO NOT WRITE IN THIS AREA

DO NOT WRITE IN THIS AREA



- 2 Sarah sees this poster about results of a survey about favourite meals in the school canteen.

Favourite meals of 180 students



She decides to write a comment about the results on social media.

How many students chose fish as their favourite meal?
You **must** show all your working.

(4)

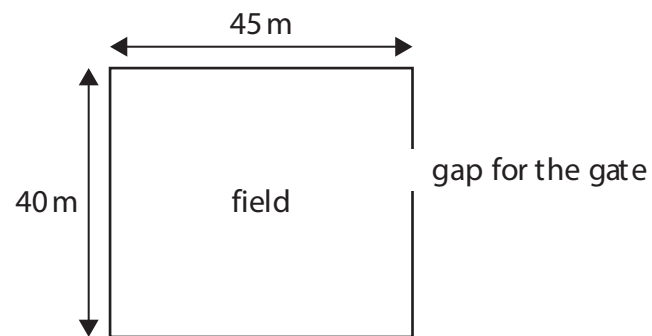
students

(Total for Question 2 is 4 marks)



3 Patrick needs to put fence panels around a field.

The field is in the shape of a rectangle.



Patrick will leave a gap of 260 cm for a gate.

Each fence panel is 1.8 m long.

Patrick can cut and join the fence panels.

Work out the total number of fence panels Patrick needs to put around this field.

(5)

DO NOT WRITE IN THIS AREA

DO NOT WRITE IN THIS AREA

DO NOT WRITE IN THIS AREA

DO NOT WRITE IN THIS AREA

DO NOT WRITE IN THIS AREA

DO NOT WRITE IN THIS AREA



DO NOT WRITE IN THIS AREA

DO NOT WRITE IN THIS AREA

DO NOT WRITE IN THIS AREA

DO NOT WRITE IN THIS AREA

DO NOT WRITE IN THIS AREA

DO NOT WRITE IN THIS AREA

fence panels

(Total for Question 3 is 5 marks)



4 Varna works in a bookshop.

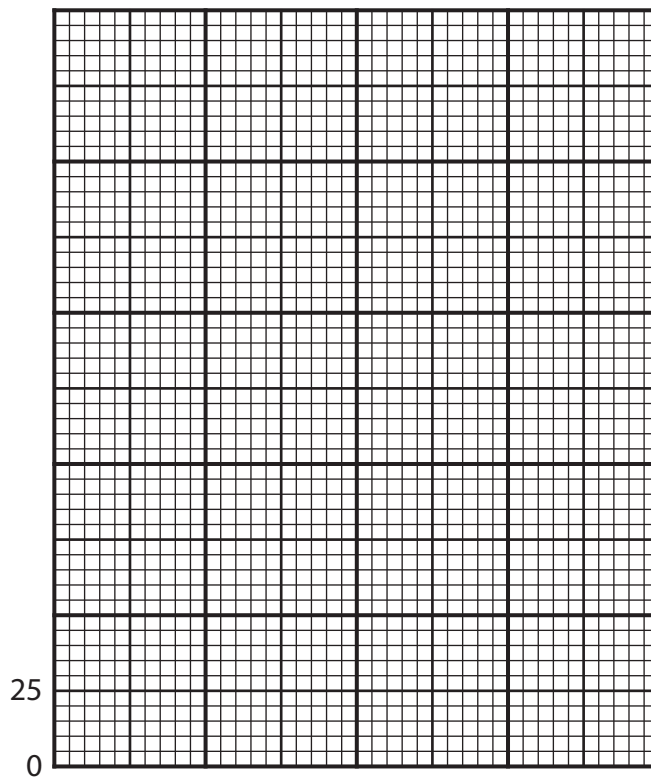
The table shows the number of books she sold in the last four weeks.

week	1	2	3	4
number of books sold	175	120	215	150

Varna begins to show this information in a chart.

On the grid, complete a suitable chart for Varna.

(3)



(Total for Question 4 is 3 marks)

DO NOT WRITE IN THIS AREA

DO NOT WRITE IN THIS AREA

DO NOT WRITE IN THIS AREA

DO NOT WRITE IN THIS AREA

DO NOT WRITE IN THIS AREA

DO NOT WRITE IN THIS AREA



5 Joe sells cars.

He sold 840 cars last year.
720 of these cars were petrol cars.
All the other cars he sold were electric cars.

Joe writes a report for his manager.

He states,

"I sold 6 times as many petrol cars as electric cars last year."

Is this statement correct?
You **must** show your working.

(3)

(Total for Question 5 is 3 marks)



6 Raphael owns a barber shop.

The table shows the number of customers who had a haircut last week at the shop.

Mon	Tue	Wed	Thu	Fri	Sat	Sun
58	64	49	73	89	96	103

The price of a haircut was £8

Next week Raphael will

- increase the price of a haircut by 25%
- have the same mean daily number of customers.

Raphael thinks his mean daily income next week will be more than £750

Is Raphael correct?
Show why you think this.

(6)

DO NOT WRITE IN THIS AREA

DO NOT WRITE IN THIS AREA

DO NOT WRITE IN THIS AREA

DO NOT WRITE IN THIS AREA

DO NOT WRITE IN THIS AREA

DO NOT WRITE IN THIS AREA



DO NOT WRITE IN THIS AREA

DO NOT WRITE IN THIS AREA

DO NOT WRITE IN THIS AREA

DO NOT WRITE IN THIS AREA

DO NOT WRITE IN THIS AREA

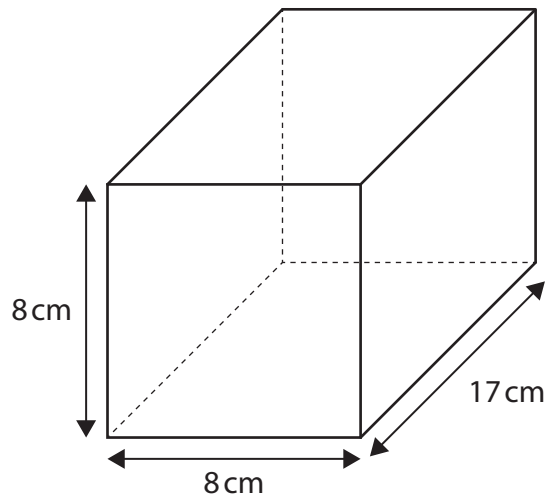
DO NOT WRITE IN THIS AREA



(Total for Question 6 is 6 marks)



7 Here is a cuboid.



Calculate the volume of the cuboid.
Remember to give units with your answer.

(3)

(Total for Question 7 is 3 marks)

DO NOT WRITE IN THIS AREA

DO NOT WRITE IN THIS AREA

DO NOT WRITE IN THIS AREA

DO NOT WRITE IN THIS AREA

DO NOT WRITE IN THIS AREA

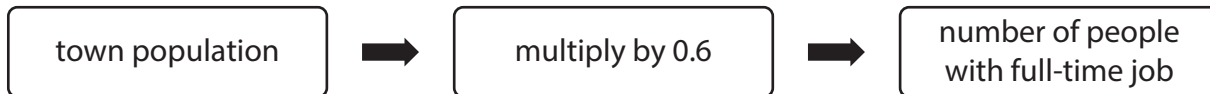
DO NOT WRITE IN THIS AREA



8 Anju works at a town hall.

The town population is four hundred and seventy thousand and fifteen.

Anju uses this rule to work out how many people in the town have a full-time job.



Anju thinks 272019 people in the town have a full-time job.

Is Anju correct?
Show why you think this.

(3)

(Total for Question 8 is 3 marks)



9 Wesley is planning his new bathroom.
He will put a bath and a sink in the bathroom.

The bath needs

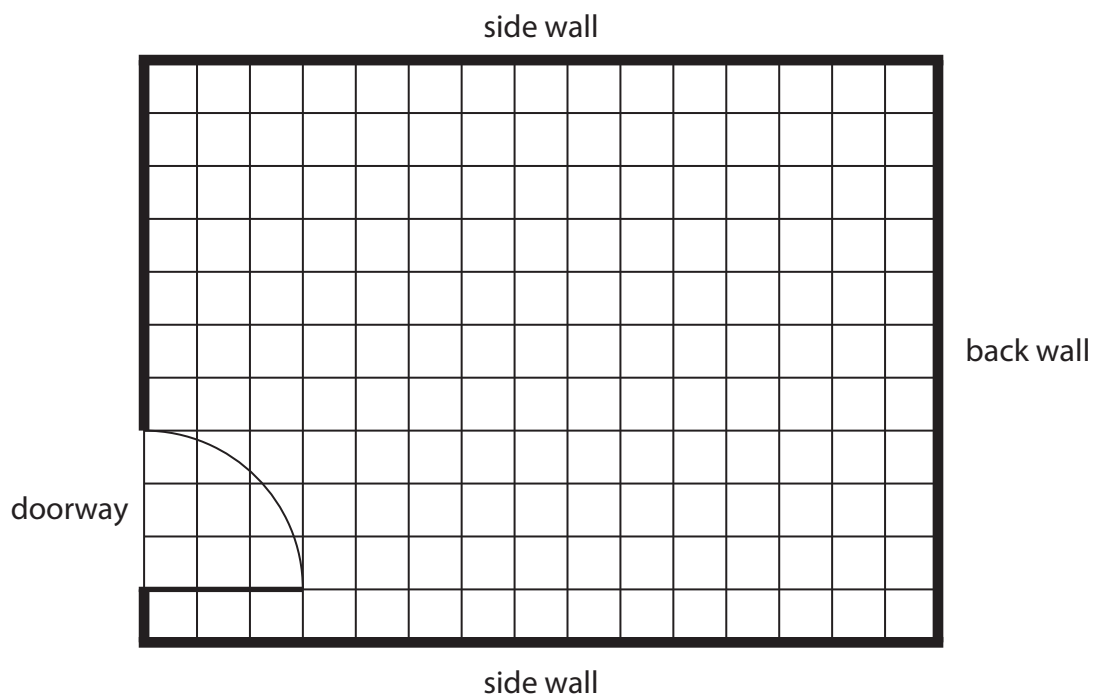
- a rectangular space 1.75 m by 1 m
- to be against the back wall
- to be an equal distance from both side walls.

The sink needs

- a square space 0.5 m by 0.5 m
- to be against a side wall
- to be at least 1 m from the bath
- to be at least 1 m from the doorway.

Show a space for the bath and a space for the sink on the grid.
Remember to use the scale and label each item.

(4)



Key

1 square on the grid is 0.25 m by 0.25 m in the bathroom

(Total for Question 9 is 4 marks)



10 Here are some numbers.

27.5 -17.3 63.1 4.6 -42.4 39.8 -9.7 58.6

(a) Work out the range of these numbers.

(2)



(b) Show a check of your answer.

(1)

(Total for Question 10 is 3 marks)



P 6 8 2 0 1 A 0 1 3 1 6

- 11 Charly is organising a party.
She needs to buy 90 party plates.

She finds this offer.

pack of 6 plates
normal price £3.55
now $\frac{1}{5}$ off the normal price

Charly has £45 to spend on the plates.

Does Charly have enough money to buy 90 plates?
Show why you think this.

(5)

DO NOT WRITE IN THIS AREA

DO NOT WRITE IN THIS AREA

DO NOT WRITE IN THIS AREA

DO NOT WRITE IN THIS AREA

DO NOT WRITE IN THIS AREA

DO NOT WRITE IN THIS AREA



DO NOT WRITE IN THIS AREA

DO NOT WRITE IN THIS AREA

DO NOT WRITE IN THIS AREA

DO NOT WRITE IN THIS AREA

DO NOT WRITE IN THIS AREA

DO NOT WRITE IN THIS AREA



(Total for Question 11 is 5 marks)

**TOTAL FOR SECTION B IS 42 MARKS
TOTAL FOR PAPER IS 56 MARKS**



DO NOT WRITE IN THIS AREA

DO NOT WRITE IN THIS AREA

DO NOT WRITE IN THIS AREA

BLANK PAGE

