

Please check the examination details below before entering your candidate information

Candidate surname

Other names

**Pearson Edexcel
Functional Skills**

Centre Number

Candidate Number

*****Past Paper 2*****

Time: 1 hour 30 minutes

Paper Reference **PMAT1/C02**

Mathematics
Level 1
Section B (Calculator)



You must have:

Pen, calculator, HB pencil, eraser, ruler graduated in cm and mm, protractor, pair of compasses. Tracing paper may be used.

Total Marks

My signature confirms that I will not discuss the content of the test with anyone.

Signature: _____

Instructions

- Use **black** ink or ball-point pen.
- **Fill in the boxes** at the top of this page with your name, centre number and candidate number.
- Sign the declaration.
- Answer **all** questions.
- Write your final answers in the boxes provided.
- Answer the questions in the spaces provided – *there may be more space than you need.*
- You **must** show clearly how you get your answers in the spaces provided. Marks will be awarded for your working out.
- Check your working and your answers at each stage.
- Diagrams are **not** accurately drawn, unless otherwise indicated.
- **Calculators may be used.**
- If your calculator does not have π button take the value of π to be 3.14

Information

- The total mark for this section is 42.
- The total mark for this paper is 56.
- The marks for each question are shown in brackets
– *use this as a guide as to how much time to spend on each question.*
- This sign shows where marks will be awarded for showing your checks.

Advice

- Read each question carefully before you start to answer it.
- Check your answers if you have time at the end.

Turn over ►

P64955A

©2019 Pearson Education Ltd.

1/1/1




Pearson

SECTION B

Answer ALL questions. Write your answers in the spaces provided.

1 Here are 7 numbers.

3.51 3 1.1 4 4.5 2.5 2.81

Calculate the mean of these 7 numbers.

(3)

(Total for Question 1 is 3 marks)

DO NOT WRITE IN THIS AREA

DO NOT WRITE IN THIS AREA

DO NOT WRITE IN THIS AREA

DO NOT WRITE IN THIS AREA

DO NOT WRITE IN THIS AREA

DO NOT WRITE IN THIS AREA



DO NOT WRITE IN THIS AREA

DO NOT WRITE IN THIS AREA

DO NOT WRITE IN THIS AREA

DO NOT WRITE IN THIS AREA

DO NOT WRITE IN THIS AREA

DO NOT WRITE IN THIS AREA

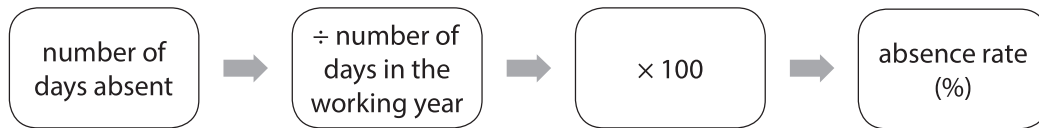
2 In a factory the working week is from Monday to Friday.
There are 46 working weeks in a working year.

(a) Calculate the number of days in one working year.

(1)

Nita works at the factory.
She will get a bonus if her absence rate is 2% or less.

This rule is used to calculate her absence rate.



Nita was absent from work for 9 days in the last working year.

(b) Does Nita get a bonus?
Show why you think this.

(3)

(Total for Question 2 is 4 marks)



3 Tina is getting broadband for her new flat.

She finds this deal.

Broadband deal

router normal price £39.99

15% discount on the normal router price

18 months contract at £56.99 each month

Tina buys the router and the 18 months contract.

Work out the total cost of this deal for Tina.

(5)

DO NOT WRITE IN THIS AREA

DO NOT WRITE IN THIS AREA

DO NOT WRITE IN THIS AREA

DO NOT WRITE IN THIS AREA

DO NOT WRITE IN THIS AREA

DO NOT WRITE IN THIS AREA



DO NOT WRITE IN THIS AREA

DO NOT WRITE IN THIS AREA

DO NOT WRITE IN THIS AREA

DO NOT WRITE IN THIS AREA

DO NOT WRITE IN THIS AREA

DO NOT WRITE IN THIS AREA

£

(Total for Question 3 is 5 marks)



- 4 Varney wants to cover a wall with a sealing mixture.
She reads this information about how to make the mixture.

Mix water with concentrate in the ratio 5:1

Varney wants to make 9 litres of the mixture.

How much water and how much concentrate does Varney need to make 9 litres of the mixture?

(3)

water litres

concentrate litres

(Total for Question 4 is 3 marks)

DO NOT WRITE IN THIS AREA

DO NOT WRITE IN THIS AREA

DO NOT WRITE IN THIS AREA

DO NOT WRITE IN THIS AREA

DO NOT WRITE IN THIS AREA

DO NOT WRITE IN THIS AREA



DO NOT WRITE IN THIS AREA

DO NOT WRITE IN THIS AREA

DO NOT WRITE IN THIS AREA

DO NOT WRITE IN THIS AREA

DO NOT WRITE IN THIS AREA

DO NOT WRITE IN THIS AREA

- 5 Joseph is making a template for craftwork.
He makes the template using two circles.

The two circles have the same centre.
The outer circle has radius 6 cm.

The radius of the inner circle is $\frac{1}{2}$ the radius of the outer circle.



Draw the template for Joseph in the space below.
The centre (x) is drawn for you.

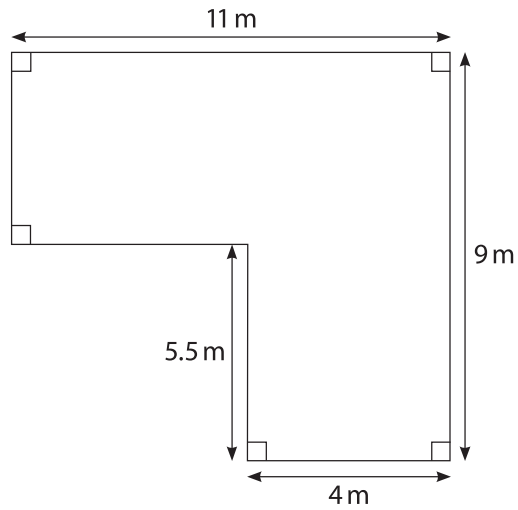
(3)

x

(Total for Question 5 is 3 marks)



- 6 Harpreet wants to put tiles on the ceiling of a room. He has this sketch of the ceiling.



Harpreet knows one pack of ceiling tiles

- covers an area of 3.24 m^2
- costs £34.95

Ceiling tiles can be cut and joined.

Calculate the total cost of the packs of ceiling tiles Harpreet has to buy.

(6)

DO NOT WRITE IN THIS AREA

DO NOT WRITE IN THIS AREA

DO NOT WRITE IN THIS AREA

DO NOT WRITE IN THIS AREA

DO NOT WRITE IN THIS AREA

DO NOT WRITE IN THIS AREA



DO NOT WRITE IN THIS AREA

DO NOT WRITE IN THIS AREA

DO NOT WRITE IN THIS AREA

DO NOT WRITE IN THIS AREA

DO NOT WRITE IN THIS AREA

DO NOT WRITE IN THIS AREA

£

(Total for Question 6 is 6 marks)



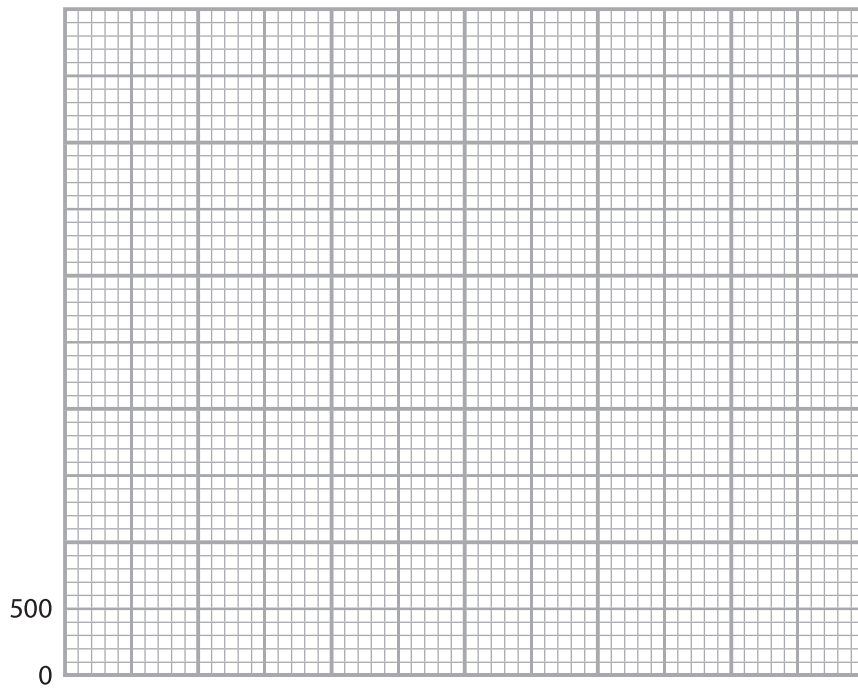
- 7 Grace works at a supermarket.
The supermarket gives money to local groups.

Grace wants to show customers the amount of money given to each local group.
She has this information.

local group	amount of money (£)
youth club	600
band	2000
library	1200
playgroup	3100
care home	2300

Draw a bar chart for this information.
Use 1 cm to represent £500 on the money axis.

(3)



(Total for Question 7 is 3 marks)

DO NOT WRITE IN THIS AREA

DO NOT WRITE IN THIS AREA

DO NOT WRITE IN THIS AREA

DO NOT WRITE IN THIS AREA

DO NOT WRITE IN THIS AREA

DO NOT WRITE IN THIS AREA



DO NOT WRITE IN THIS AREA

DO NOT WRITE IN THIS AREA

DO NOT WRITE IN THIS AREA

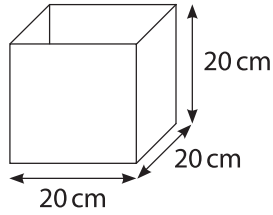
DO NOT WRITE IN THIS AREA

DO NOT WRITE IN THIS AREA

DO NOT WRITE IN THIS AREA

8 Jakob is a florist.
He designs an open box for flowers to stand in.

The box is in the shape of a cube with a side length 20 cm.



Draw a net of the open box.
Use the grid below to draw your net.

(3)



Key

1 square length on the grid represents 5 cm on the cube

(Total for Question 8 is 3 marks)



9 Sandro is making cottage pie.

He finds this list of ingredients.

cottage pie
serves 8 people
1500 grams of meat
250 ml stock
4 tbsp tomato paste
2 kilograms of potatoes

Sandro wants to make cottage pie for 12 people.
He wants to know how much meat to use.

(a) Calculate the amount of meat Sandro needs to use.

(3)

grams



(b) Use a reverse calculation to show a check of your answer.

(1)

(Total for Question 9 is 4 marks)

DO NOT WRITE IN THIS AREA

DO NOT WRITE IN THIS AREA

DO NOT WRITE IN THIS AREA

DO NOT WRITE IN THIS AREA

DO NOT WRITE IN THIS AREA

DO NOT WRITE IN THIS AREA



DO NOT WRITE IN THIS AREA

DO NOT WRITE IN THIS AREA

DO NOT WRITE IN THIS AREA

DO NOT WRITE IN THIS AREA

DO NOT WRITE IN THIS AREA

DO NOT WRITE IN THIS AREA

10 Jenny is a science technician.
She carries out an experiment.

Jenny records the temperatures from her experiment each day.

day	1	2	3	4	5	6	7
temperature (°C)	65.5	65.2	66.5	69.0	70.0	71.8	68.2

(a) Calculate the range of these temperatures.

(2)

 °C

Jenny has included the range in her report.
She must write another comment about these temperatures in her report.

(b) Write a comment about the temperatures.

(1)

(Total for Question 10 is 3 marks)



- 11 Clare sells houses.
She has this information about the purchase prices of some houses.

house reference	purchase price (£)
A	123 950
B	249 000
C	94 500
D	389 000
E	121 000
F	149 000

- (a) Write in order the purchase prices of these houses.
Start with the lowest price.

(1)

People pay stamp duty on houses with a purchase price of more than £125 000

- (b) Tick the purchase prices that are greater than £125 000

(1)

purchase price (£)	
123 950	
249 000	
94 500	
389 000	
121 000	
149 000	

DO NOT WRITE IN THIS AREA

DO NOT WRITE IN THIS AREA

DO NOT WRITE IN THIS AREA

DO NOT WRITE IN THIS AREA

DO NOT WRITE IN THIS AREA

DO NOT WRITE IN THIS AREA



DO NOT WRITE IN THIS AREA

DO NOT WRITE IN THIS AREA

DO NOT WRITE IN THIS AREA

DO NOT WRITE IN THIS AREA

DO NOT WRITE IN THIS AREA

DO NOT WRITE IN THIS AREA

Alex buys a house.
He must pay £255 000 for the house.
He must also pay 5% of the purchase price in stamp duty.

(c) Calculate the total amount Alex must pay.

(3)

£

(Total for Question 11 is 5 marks)

TOTAL FOR SECTION B IS 42 MARKS
TOTAL FOR PAPER IS 56 MARKS



DO NOT WRITE IN THIS AREA

DO NOT WRITE IN THIS AREA

DO NOT WRITE IN THIS AREA

DO NOT WRITE IN THIS AREA

DO NOT WRITE IN THIS AREA

DO NOT WRITE IN THIS AREA

BLANK PAGE

