

Please write clearly in block capitals.

Centre number

Candidate number

Surname _____

Forename(s) _____

Candidate signature _____

I declare this is my own work.

Functional Skills Level 1 MATHEMATICS

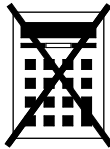
Paper 1 Non-Calculator

Time allowed: 30 minutes

Materials

For this paper you must have:

- mathematical instruments.
- You must **not** use a calculator.



Instructions

- Use black ink or black ball-point pen. Draw diagrams in pencil.
- Answer **all** questions.
- You must answer the questions in the spaces provided. Do not write outside the box around each page or on blank pages.
- If you need extra space for your answer(s), use the lined pages at the end of this book. Write the question number against your answer(s).
- Do all rough work in this book. Cross through any work you do not want to be marked.
- State the units of your answer where appropriate.

Information

- The marks for questions are shown in brackets.
- The maximum mark for this paper is 20.
- You may ask for more answer paper, graph paper and tracing paper. These must be tagged securely to this answer book.

Advice

In all calculations, show clearly how you work out your answer.

For Examiner's Use	
Question	Mark
1–5	
6	
TOTAL	



Section AAnswer **all** questions in the spaces provided.**1** Circle the negative integer.**[1 mark]**

-1.4

8

0.6

-23

2 Work out $97\,004 \div 1000$ **[1 mark]**

Answer _____

3 Work out $5^2 + 3^2$ **[2 marks]**

Answer _____

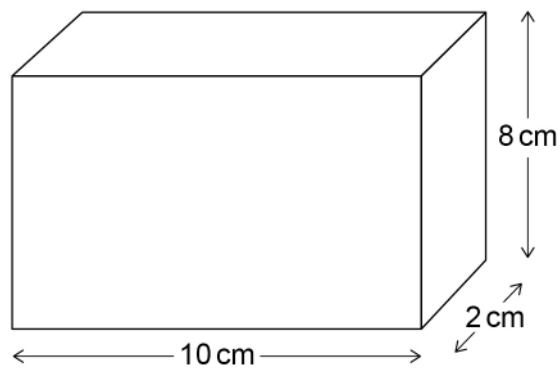


4 Write two and four fifths in digits.

[1 mark]

Answer _____

5



Work out the volume of the cuboid.

State the units of your answer.

[3 marks]

Answer _____

—
8

Turn over ►



Section BAnswer **all** questions in the spaces provided.**6 Jewellery**

Libby makes and sells jewellery.

6 (a) Libby is making a bracelet.

She uses white beads and blue beads in the ratio 1 : 3

Libby uses 6 white beads for the bracelet.

She has 10 blue beads.

How many **more** blue beads does she need to complete the bracelet?**[2 marks]**

Answer _____



6 (b) Libby makes necklaces and bracelets from chain.

She buys a 2-metre roll of chain.

She uses $\frac{1}{4}$ of the chain to make a necklace.

She uses the **rest** of the chain to make bracelets.

Libby needs 20 cm of chain to make each bracelet.

How many bracelets can she make?

[5 marks]

Answer _____

Question 6 continues on the next page

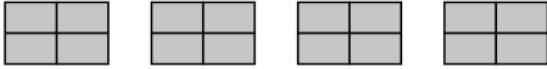

Turn over ►



6 (c) Libby sells her jewellery at a craft fair.

The pictogram shows some information about the items of jewellery she sold one day.

Key:  = 4 items

Necklace	
Anklet	
Bracelet	
Ring	

In total, Libby sold 45 items of jewellery that day.

She sold twice as many bracelets as rings.

Complete the pictogram.

[5 marks]

12

END OF QUESTIONS



There are no questions printed on this page

*Do not write
outside the
box*

**DO NOT WRITE ON THIS PAGE
ANSWER IN THE SPACES PROVIDED**



Do not write outside the box

Question number	Additional page, if required. Write the question numbers in the left-hand margin.



There are no questions printed on this page

*Do not write
outside the
box*

**DO NOT WRITE ON THIS PAGE
ANSWER IN THE SPACES PROVIDED**

Copyright information

For confidentiality purposes, all acknowledgements of third-party copyright material are published in a separate booklet. This booklet is published after each live examination series and is available for free download from www.aqa.org.uk.

Permission to reproduce all copyright material has been applied for. In some cases, efforts to contact copyright-holders may have been unsuccessful and AQA will be happy to rectify any omissions of acknowledgements. If you have any queries please contact the Copyright Team.

Copyright © 2022 AQA and its licensors. All rights reserved.



1 2



2 2 1 A 8 3 6 1 / 1

IB/M/Jan22/8361/1