



FUNCTIONAL SKILLS MATHEMATICS

AQA | Edexcel | City & Guilds | Open Awards | NCFE | Highfield

Entry Level 3

Movement and Direction

Materials

- You **cannot** use a calculator for **questions** with this symbol.



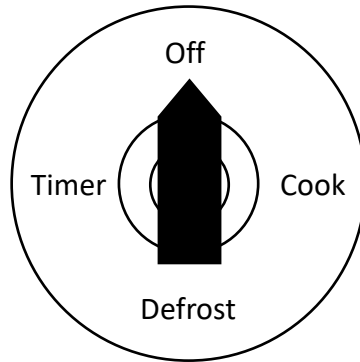
Instructions

- Answer **all** questions.
- Answer questions on separate paper.

Information and Advice

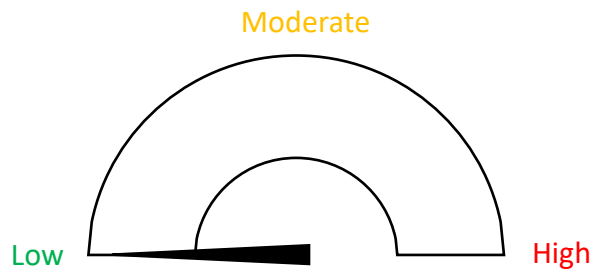
- The marks for each question are shown in brackets – use this as a guide on how long to spend on each question.
- Read each question carefully before you answer it.
- Check you answers.

Q1 The dial on a microwave is set to off. Describe how to put the microwave in defrost mode.



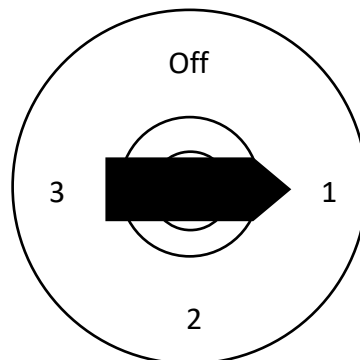
[1 mark]

Q2 A risk-o-meter dial is pointing at low. What movement is needed so that the dial is pointing at moderate?



[1 mark]

Q3 The dial on a shower has 3 power settings and an off setting. The dial is set to the 1 power setting.



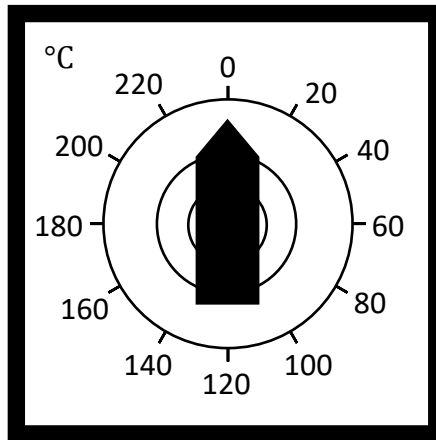
3(a) Describe the movement needed to turn the shower off.

[1 mark]

3(b) What is the dial set to if it is turned a half turn from power setting 1?

[1 mark]

Q4 The dial on an oven is set to 0°C.



What is the dial turned to if it is turned:

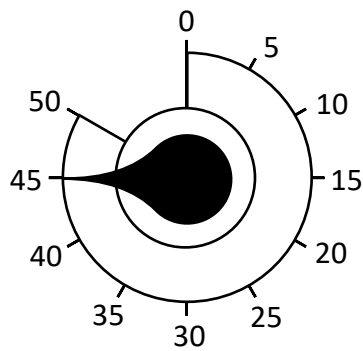
4(a) A half turn?

[1 mark]

4(b) A quarter turn clockwise?

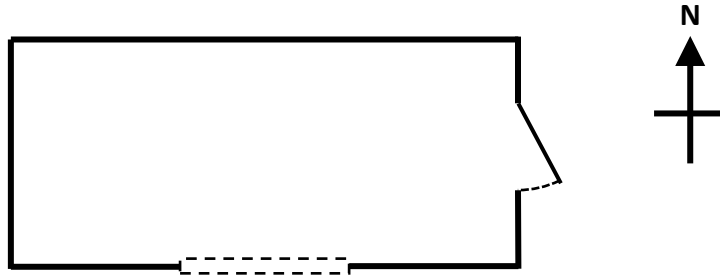
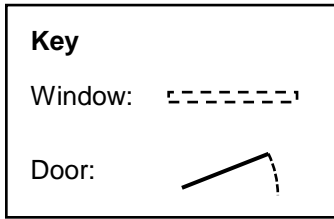
[1 mark]

Q5 A timer dial is set to 45 minutes. Given that 0 minutes cannot be reached by rotating to the right, describe the movement needed to turn the timer to 0 minutes.



[2 marks]

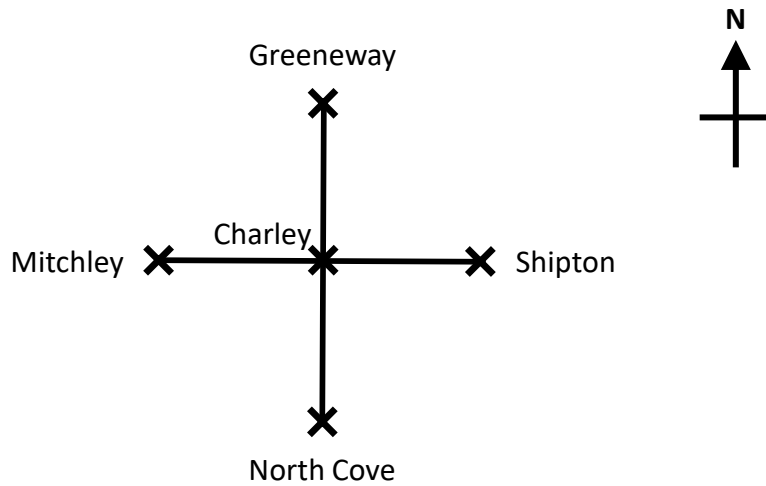
Q6 Below is a floorplan of Joni's bedroom.



Is the window facing North or South?

[1 mark]

Q7 Here is a basic map of some towns, and the roads linking them.



Nige is travelling to Greenway. He is travelling east from Mitchley towards Charley. When he arrives at Charley, which direction should he travel?

[1 mark]

Q8 Reiss is looking at a weather report. In which direction is the wind arrow pointing?



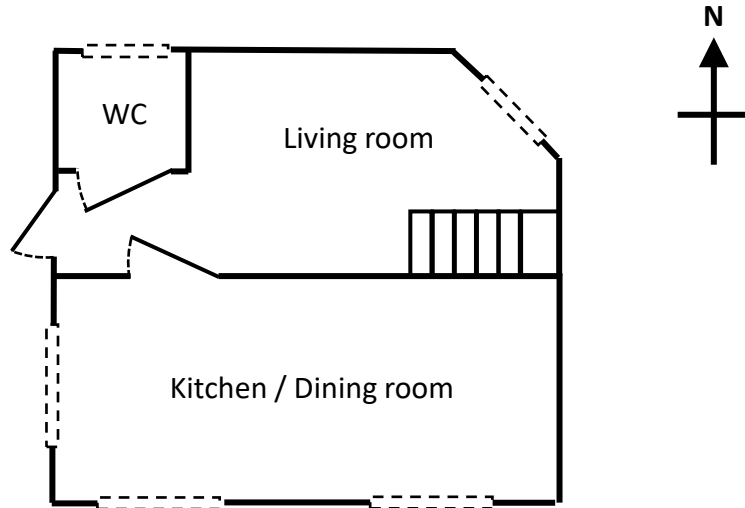
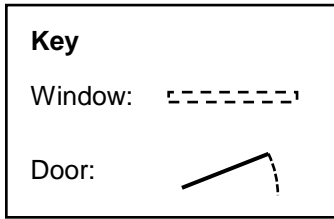
[1 mark]

Q9 Below is a map of South America. In which direction is Brasilia from Santiago?



[1 mark]

Q10 Below is a ground floor floorplan of Damien's house.



10(a) In which direction is the living room window facing?

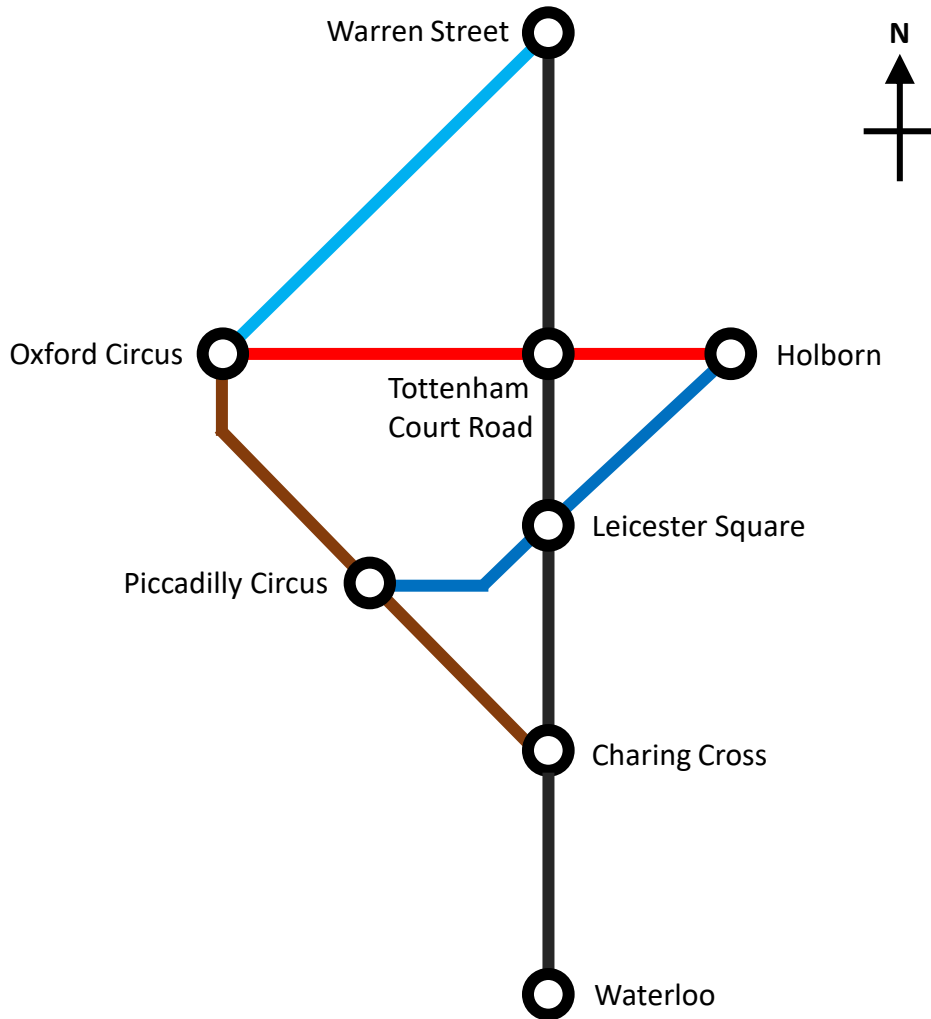
[1 mark]

10(b) In which direction is the WC window facing?

[1 mark]

Q11

Here is a basic map of some stations on the London underground, and some of the lines linking them.



Indicating all directions and all stations on the way, state the most direct route for:

11(a) Holborn to Warren Street

[2 marks]

11(b) Charing Cross to Holborn

[2 marks]

11(c) Piccadilly Circus to Waterloo

[2 marks]