

Please write clearly in block capitals.

Centre number

Candidate number

Surname _____

Forename(s) _____

Candidate signature _____

I declare this is my own work.

Functional Skills Level 2 MATHEMATICS

Paper 1 Non-Calculator

Monday 9 January 2023

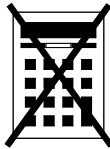
Morning

Time allowed: 30 minutes

Materials

For this paper you must have:

- mathematical instruments.
- You must **not** use a calculator.



For Examiner's Use	
Question	Mark
1–5	
6	
TOTAL	

Instructions

- Use black ink or black ball-point pen. Draw diagrams in pencil.
- Answer **all** questions.
- You must answer the questions in the spaces provided. Do not write outside the box around each page or on blank pages.
- If you need extra space for your answer(s), use the lined pages at the end of this book. Write the question number against your answer(s).
- Do all rough work in this book. Cross through any work you do not want to be marked.
- State the units of your answer where appropriate.

Information

- The marks for questions are shown in brackets.
- The maximum mark for this paper is 20.
- You may ask for more answer paper, graph paper and tracing paper. These must be tagged securely to this answer book.

Advice

In all calculations, show clearly how you work out your answer.



J A N 2 3 8 3 6 2 1 0 1

Section AAnswer **all** questions in the spaces provided.

- 1** Round 2356 to the nearest 500 **[1 mark]**

Answer _____

- 2** Work out the value of $\frac{3}{10} + \frac{1}{100}$ as a decimal.

Circle your answer.

[1 mark]

0.004

0.31

0.4

3.1

- 3** Share 192 in the ratio 5 : 1 **[2 marks]**

Answer _____ : _____



4 Work out $7 + 3 \times 4^2$

[2 marks]

Answer _____

5 The exterior angle of a polygon is 72°

Work out the interior angle.

[2 marks]

Answer _____^o

8

Turn over ►



Section BAnswer **all** questions in the spaces provided.**6 Cheese**

Jana makes cheese.

6 (a) On Tuesday, Jana made $2\frac{7}{8}$ kg of cheese in the morning

and

 $1\frac{1}{4}$ kg of cheese in the afternoon.

Jana says,

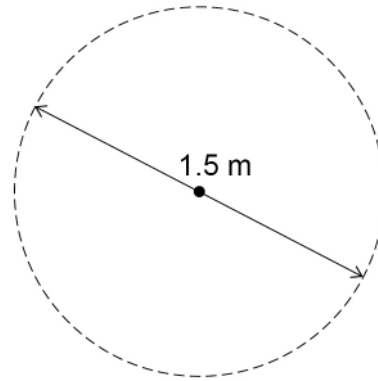
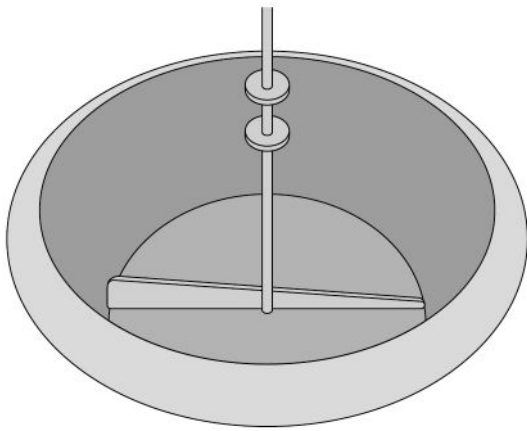
“I made **more than** 4 kg of cheese on Tuesday.”

Is she correct?

You **must** show your working.**[3 marks]**



- 6 (b)** The cheese is mixed using a straight paddle that is 1.5 metres long.
The paddle is fixed at the centre and moves in a circle.



The end of the paddle completes one full rotation every 5 seconds.

Work out the speed of the end of the paddle.

Use $\pi = 3.14$

[4 marks]

Answer _____ metres per second

Turn over ►



6 (c) Jana makes 120 pieces of cheese.

Of these 120 pieces

75% are strong

one third are soft

57 are strong and hard.

Jana chooses one of the pieces at random.

Work out the probability that the piece is **mild, soft** cheese.

You may use the table to help you.

[5 marks]

	Soft	Hard	Total
Strong		57	
Mild			
Total			120

Answer _____

12

END OF QUESTIONS



There are no questions printed on this page

*Do not write
outside the
box*

**DO NOT WRITE ON THIS PAGE
ANSWER IN THE SPACES PROVIDED**



There are no questions printed on this page

*Do not write
outside the
box*

**DO NOT WRITE ON THIS PAGE
ANSWER IN THE SPACES PROVIDED**

Copyright information

For confidentiality purposes, all acknowledgements of third-party copyright material are published in a separate booklet. This booklet is published after each live examination series and is available for free download from www.aqa.org.uk.

Permission to reproduce all copyright material has been applied for. In some cases, efforts to contact copyright-holders may have been unsuccessful and AQA will be happy to rectify any omissions of acknowledgements. If you have any queries please contact the Copyright Team.

Copyright © 2023 AQA and its licensors. All rights reserved.



1 2



2 3 1 A 8 3 6 2 / 1

IB/M/Jan23/8362/1