



FUNCTIONAL SKILLS MATHEMATICS

AQA | Edexcel | City & Guilds | Open Awards | NCFE | Highfield

Level 1

Volume

Materials

- You **cannot** use a calculator for **questions** with this symbol.



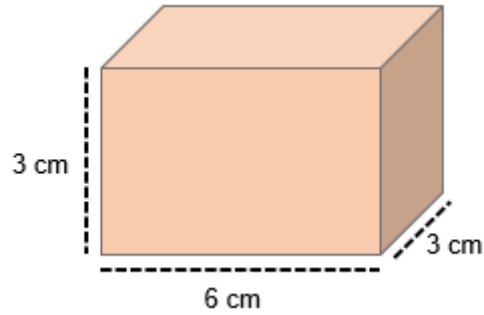
Instructions

- Answer **all** questions.
- Answer questions on separate paper.

Information and Advice

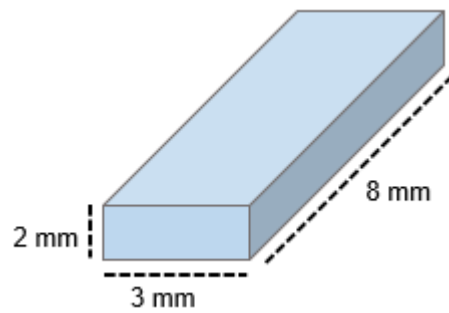
- The marks for each question are shown in brackets – use this as a guide on how long to spend on each question.
- Read each question carefully before you answer it.
- Check you answers.

Q1 Give the volume of this cuboid. Use appropriate units in your answer.



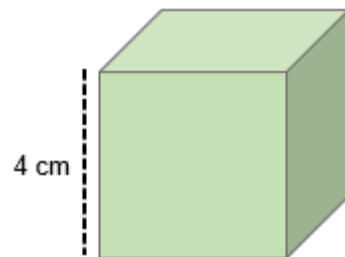
[2 marks]

Q2 Give the volume of this cuboid. Use appropriate units in your answer.



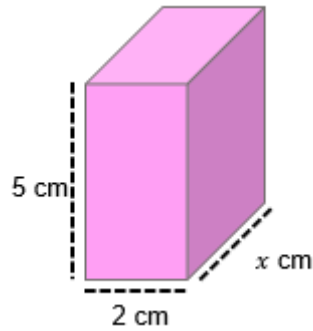
[2 marks]

Q3 Give the volume of this cube. Use appropriate units in your answer.



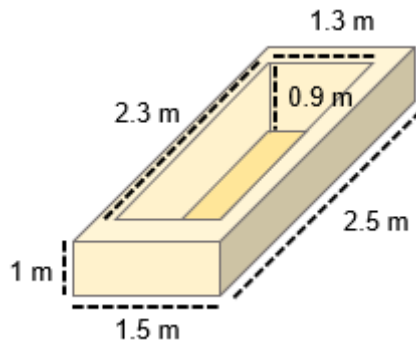
[2 marks]

Q4 Given that the volume of this cuboid is 40 cm^3 , give the value of x .



[2 marks]

Q5 Ben is measuring the size of his ceramic bath. He knows that the outer edges of the bath have dimensions $1.5 \text{ m} \times 2.5 \text{ m} \times 1 \text{ m}$, and it can hold water in the dimensions $1.3 \text{ m} \times 2.3 \text{ m} \times 0.9 \text{ m}$. Find the volume of the ceramic in the bath.



[3 marks]

Q6 Brooke is filling her new hot tub with a hosepipe, which uses water at a rate of $75 \text{ cm}^3/\text{s}$. The hot tub measures $3 \text{ m} \times 1.5 \text{ m} \times 3 \text{ m}$. How long will it take to fill the tub completely? Give your answer in hours.

[4 marks]