



FUNCTIONAL SKILLS MATHEMATICS

AQA | Edexcel | City & Guilds | Open Awards | NCFE | Highfield

Level 2

Surface Area

Materials

- You **cannot** use a calculator for **questions** with this symbol.



Instructions

- Answer **all** questions.
- Answer questions on separate paper.

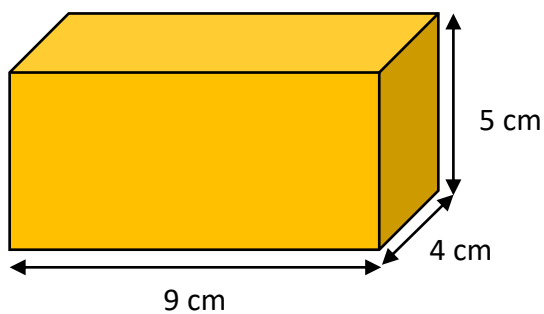
Information and Advice

- The marks for each question are shown in brackets – use this as a guide on how long to spend on each question.
- Read each question carefully before you answer it.
- Check you answers.

- Q1** A cube has sides of length 8 mm.
Calculate the surface area of the cube.

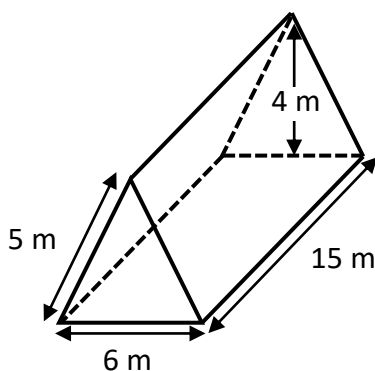
[2 marks]

- Q2** Calculate the surface area of the cuboid below.



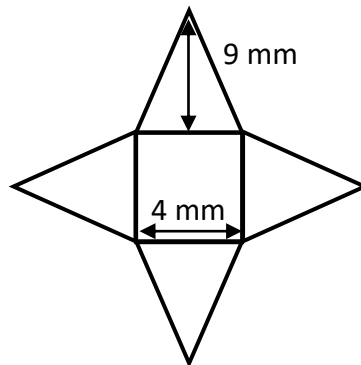
[4 marks]

- Q3** Calculate the surface area of the triangular prism below.



[4 marks]

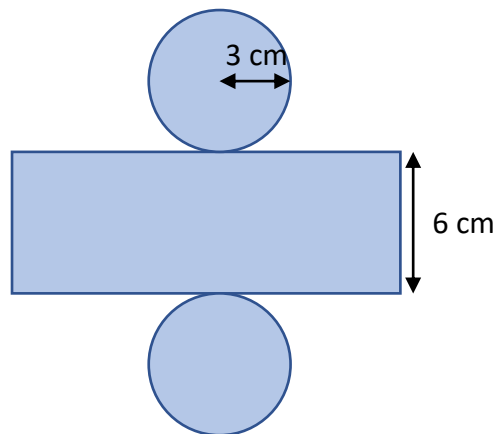
Q4 The net of a square based pyramid is drawn.



Calculate the surface area of the square based pyramid.

[4 marks]

Q5 The net of a cylinder is drawn.

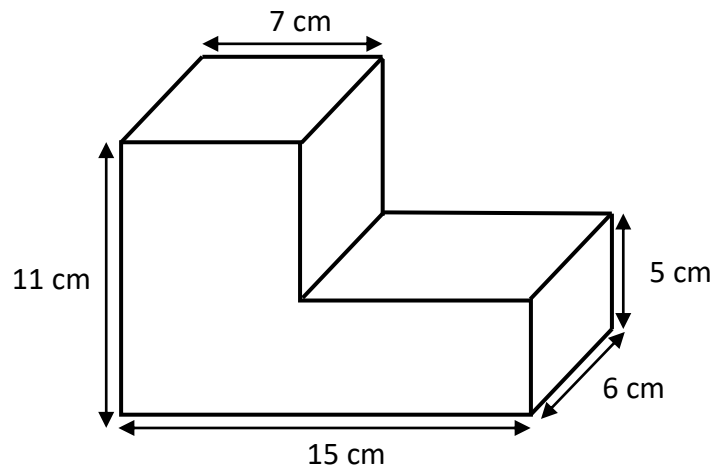


Calculate the surface area of the cylinder.

Use $\pi = 3.14$

[4 marks]

Q6 Calculate the surface area of the 3D shape below.



[5 marks]