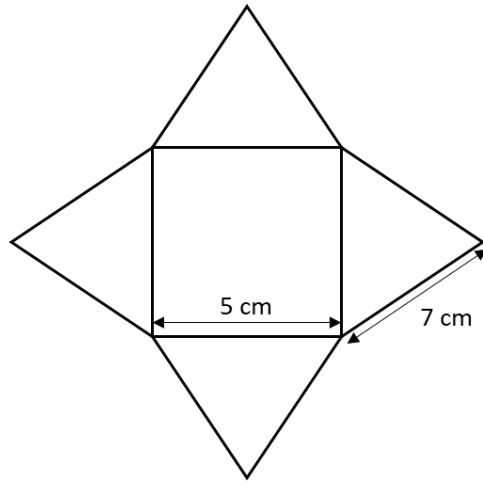


Nets L2 Mark Scheme		
1	Cube	[1]
2	Cuboid	[1]
3	A, C, F	[2]
4		
	Correctly drawn net	[1] allow alternatives
	Correctly labelled dimensions	[1]

5		
	Correctly drawn net	[1] allow alternatives
	Correctly labelled dimensions	[1]

6		[2]
---	--	-----

7



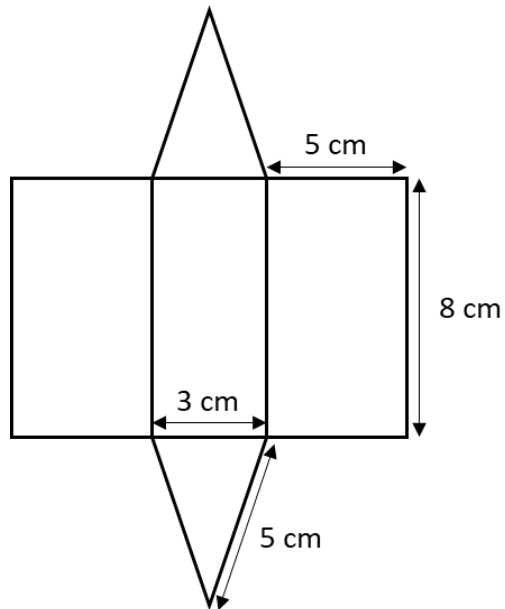
Correctly drawn net

[1] allow alternatives

Correctly labelled dimensions

[1]

8

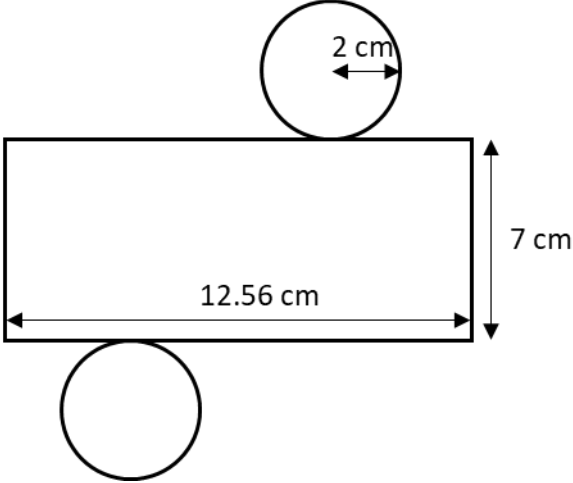


Correctly drawn net

[1] allow alternatives

Correctly labelled dimensions

[1]

9	Circumference = $2\pi r = 2 \times 3.14 \times 2 = 12.56$ cm	[1]
		
	Correctly drawn net	[1] allow alternatives
	Correctly labelled dimensions	[1]