



# FUNCTIONAL SKILLS MATHEMATICS

AQA | Edexcel | City & Guilds | Open Awards | NCFE | Highfield

Level 1

## Nets

### Materials

- You **cannot** use a calculator for **questions** with this symbol.



### Instructions

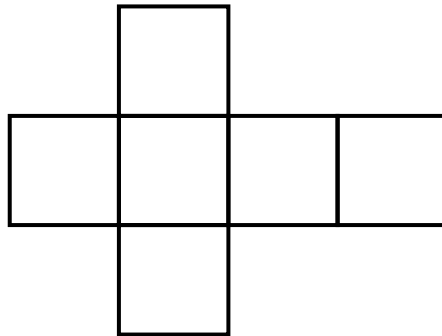
- Answer **all** questions.
- Answer questions on separate paper.

### Information and Advice

- The marks for each question are shown in brackets – use this as a guide on how long to spend on each question.
- Read each question carefully before you answer it.
- Check you answers.



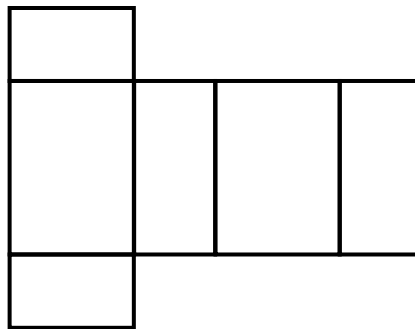
Q1 Which 3D shape will the net below form?



[1 mark]



Q2 Which 3D shape will the net below form?

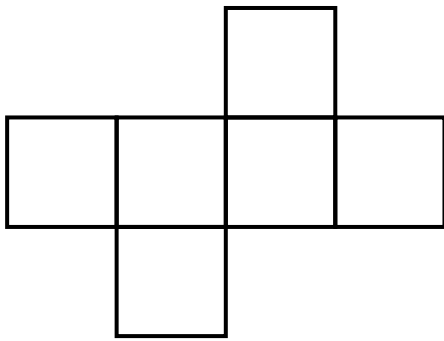


[1 mark]

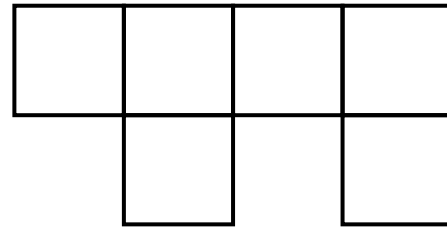


Q3

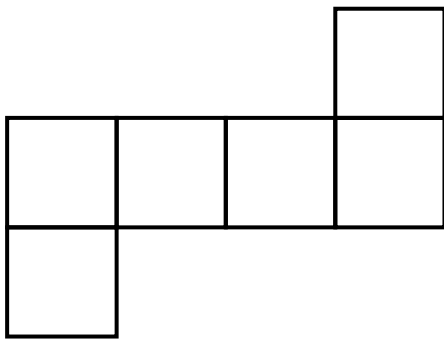
Which of the following nets will form a cube?



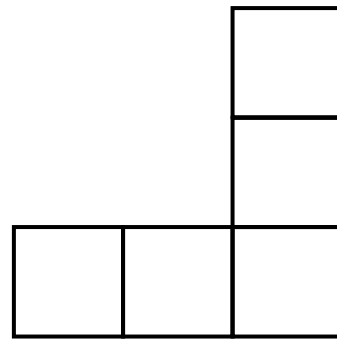
A



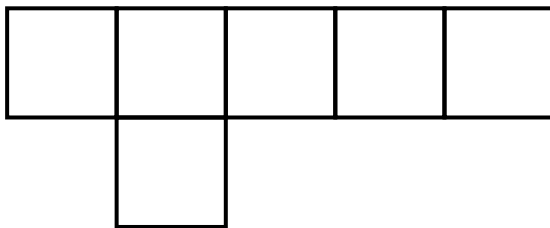
B



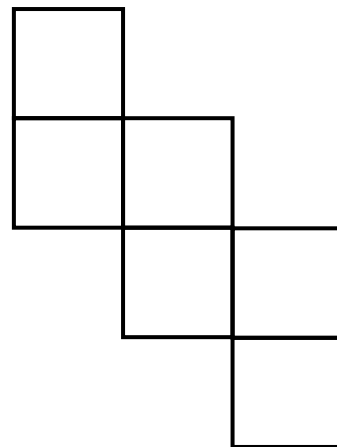
C



D



E



F

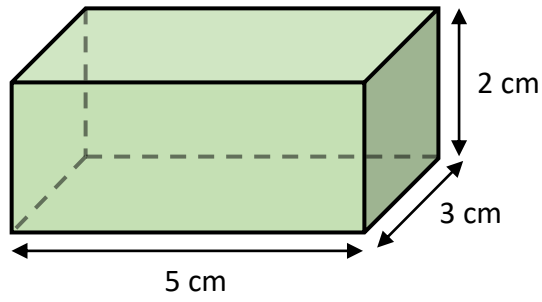
[2 marks]

2

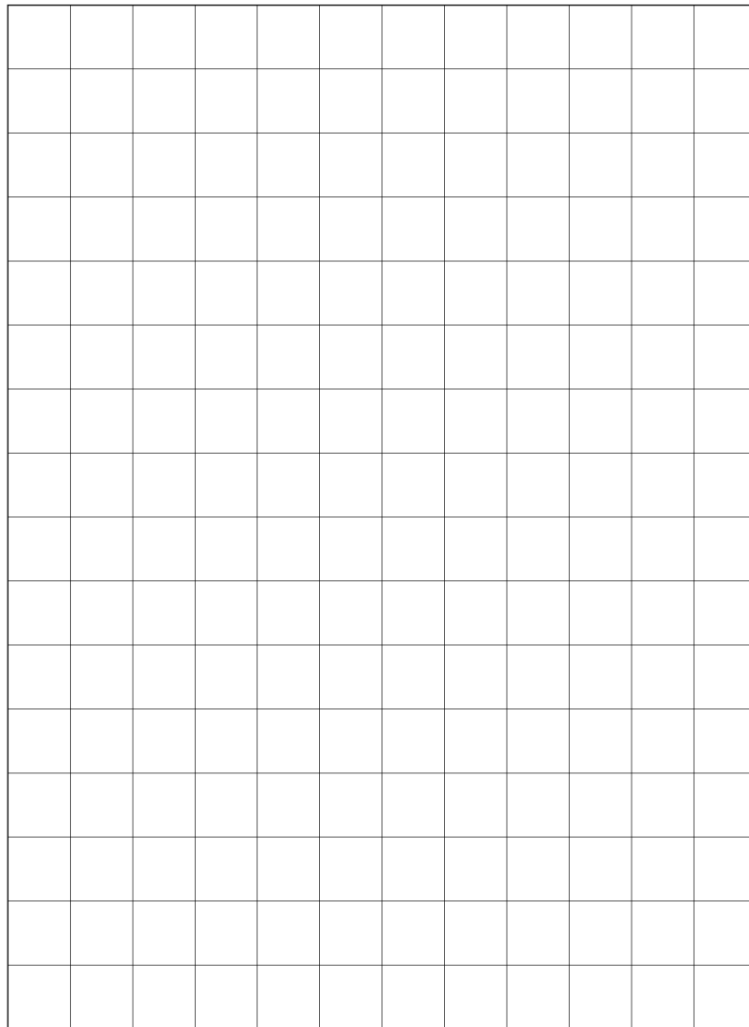
Turn over ►



**Q4** Draw a net for the box on the grid provided, labelling your dimensions.



1 square = 1 cm<sup>2</sup>



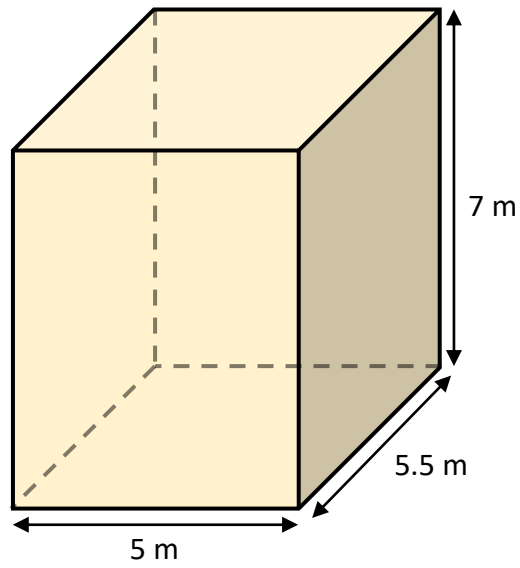
**[2 marks]**

      
2

Turn over ►



**Q5** Draw a net for the cuboid, labelling your dimensions.



**[2 marks]**